

CABLE 164 RF: MMCX STRAIGHT PLUG + RG174 CABLE + TNC STRAIGHT BULKHEAD JACK WITH O-RING RATED TO IP67/68

SPECIFICATIONS:

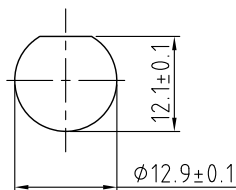
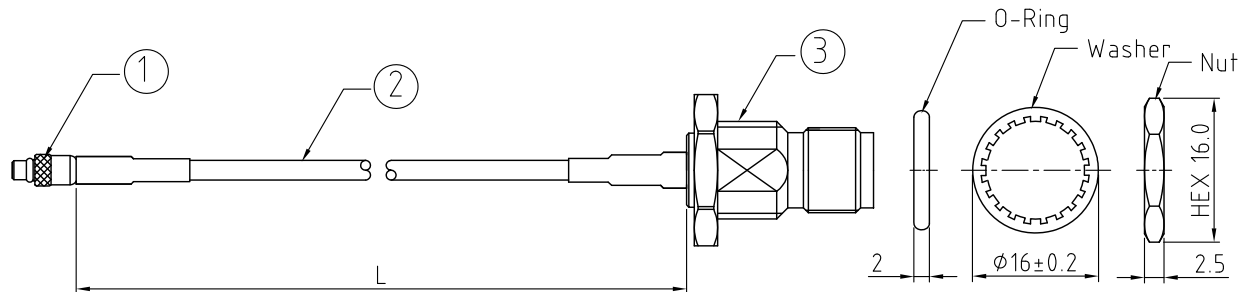
1. MMCX STRAIGHT PLUG, P/N: C05AA3F174003.
2. RG174 COAXIAL CABLE, COLOR: BLACK.
3. TNC STRAIGHT BULKHEAD JACK WITH O-RING RATED TO IP67/68, P/N: RFCT-TNC002-F74.

ENVIRONMENTAL:

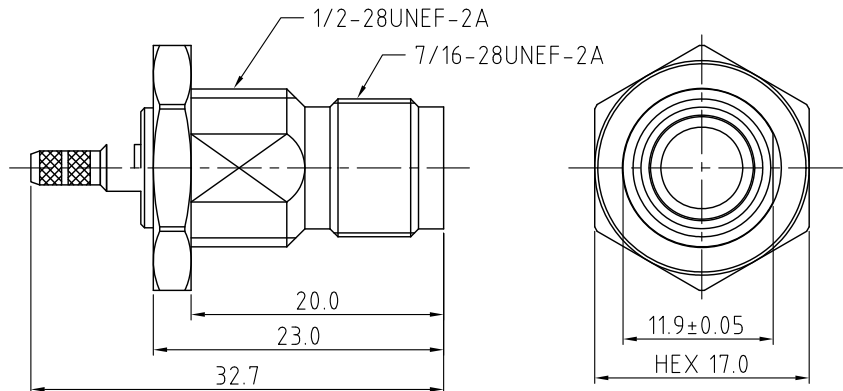
- A. BULKHEAD MOUNTED CONNECTOR (RFCT-TNC002-F74) TESTED TO THE FOLLOWING SPECIFICATION:
- i. IP6X - DUST TIGHT - NO PARTICLE INGRESS.
 - ii. IPX7 WATERPROOF FOR 30 MINUTES UP TO 1 METER UNDERWATER.
 - iii. IPX8 WATERPROOF FOR 48 HOURS AT 1 METER UNDERWATER.
 - iv. IPX8 WATERPROOF FOR 12 HOURS AT 5 METERS UNDERWATER.
 - v. PRESSURE TEST - 1 BAR FOR 10 SECONDS.

NOTES:

1. WORKING FREQUENCY RANGE: DC-3GHz.



RECOMMENDED TNC MOUNTING HOLE



TNC DETAIL DRAWING

HOW TO ORDER

CABLE 164 RF - X X X X - X - 1

"L" LENGTH IN MM

eg: 100MM = 0100

(MIN. = 0050, MAX. = 2000,

STANDARD = 0100, 0150, 0200)

Tolerance: 50-200mm: ±5mm.

201-500mm: ±7mm.

>500mm: ±10mm.

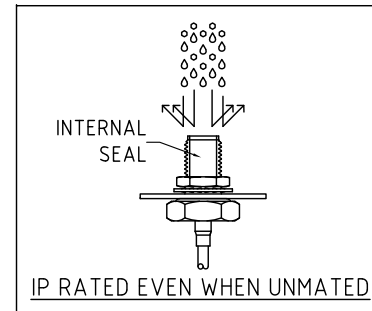
CABLE SIZE OPTIONS:

1 = RG174 CABLE, COLOR: BLACK

O-RING, WASHER AND NUT OPTIONS:

BLANK = SEPARATELY PACKED (STANDARD)

A = ASSEMBLED WITH CONNECTOR



IP RATED EVEN WHEN UNMATED

REV. DATE & DRN
11 27/07/15 - NYW
12 30/10/15 - R.J.H.
13 25/02/24 - CC

Scale: NTS	THIRD ANGLE	Unstated Tolerances:
Drawn: CC		.X ±0.2
App'd: XXX	Title CABLE ASSEMBLY	.XX ±0.1
Date: 25 FEB. '24	Revision: 1.3	.XXX ±0.05
	Unit: mm	ANGLES ±5

Scale: NTS	THIRD ANGLE	Unstated Tolerances:
Drawn: CC		.X ±0.2
App'd: XXX	Title CABLE ASSEMBLY	.XX ±0.1
Date: 25 FEB. '24	Revision: 1.3	.XXX ±0.05
	Unit: mm	ANGLES ±5

NAUTILUS

IP Rated RF Products

GRADCONN

www.gradconn.com

Type: Cable 164 RF
CABLE 164 RF
Drawing Number:
Sheet 1 of 1
Drawing © E and O E